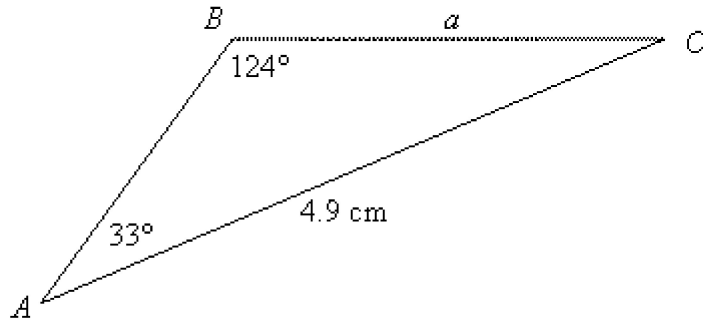
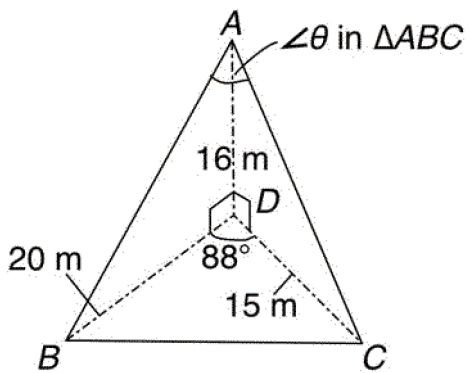


8. Determine the length of a to the nearest tenth of a cm.



9. Determine angle, θ .



10. Jim is looking at the roof of a new house from the front. He notices that the roof is triangular in shape with a base 13.6 m. The left side is 8.0 m long and makes an angle of 70° with the base of the roof. Determine the length of the right side of the roof. Be sure to first make a sketch.